

LR Mate 200iD/14L



Max. load capacity at wrist: 14kg



Max. reach: 911 mm

FANUC

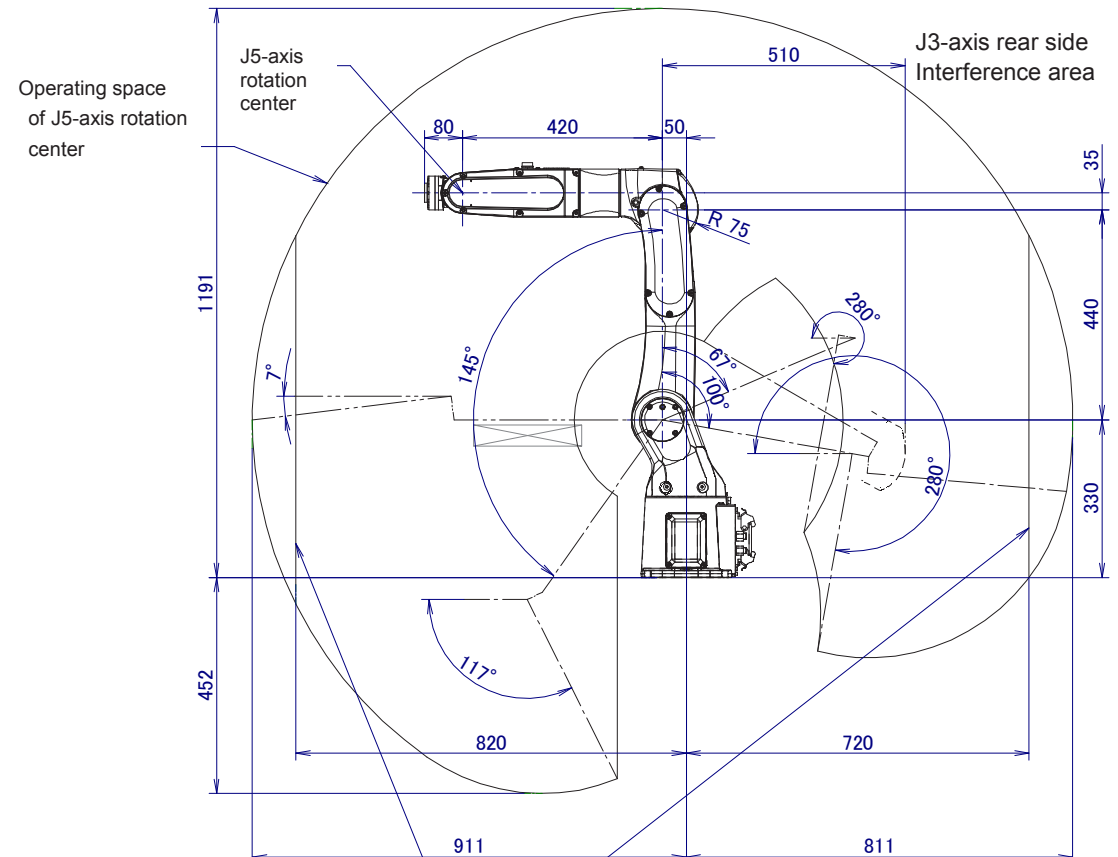
Robot			Max. load capacity at wrist (kg)	Reach (mm)	Controlled axes	Repeatability (mm)	Mechanical weight (kg)	Motion range [°]						Maximum speed [°/s]**						Moments (N-m)/Inertia (kg·m ²)			Protection		
Series	Version	Type						J1	J2	J3	J4	J5	J6	J1	J2	J3	J4	J5	J6	J4 Moment/Inertia	J5 Moment/Inertia	J6 Moment/Inertia	Average Power consumption (kW)	Body standard/optional	Wrist & J3 arm standard/optional
LR Mate 200	iD	14L	14	911 820*	6	±0.01**	27	340 (360)	245	430	380	250	720	120	61	58	400	240	400	31/.66	31/.66	13.4/.30	0.5	IP67/ IP69K	IP67/ IP69K

[option] ● standard ○ on request - not available () with hardware and/or software option *load capacity greater than 12KG ** Based on ISO9283 ***Maximum speed is restricted to 500mm/s >>All smooth stop is included as standard with the LR Mate 200iD/14L and cannot be disabled.

LR Mate 200iD/14L Long arm, heavier payload



LR Mate 200iD/14L



>> If applied load on the robot exceeds 7kg when the robot is installed on an angle, the operating area is limited by the mount angle. If payload is less than 7kg, there is no restriction of the operating space.