

M-1*i*A/0.5A



Max. load capacity at wrist: 0.5 kg



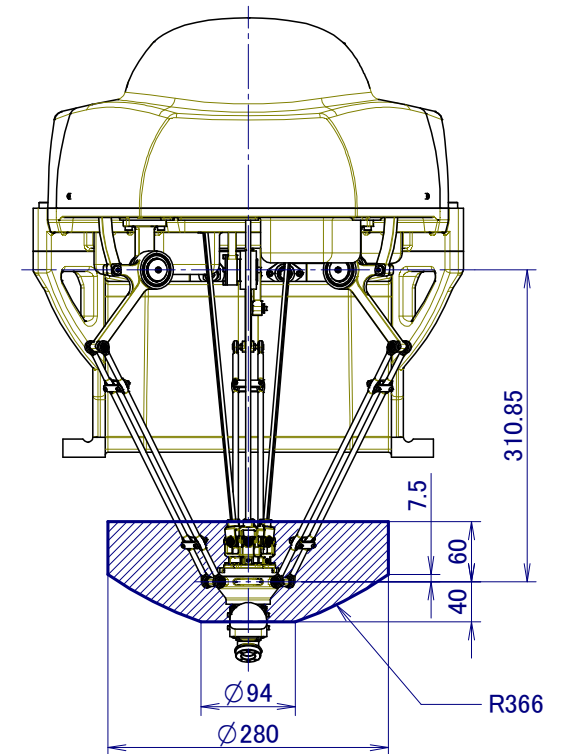
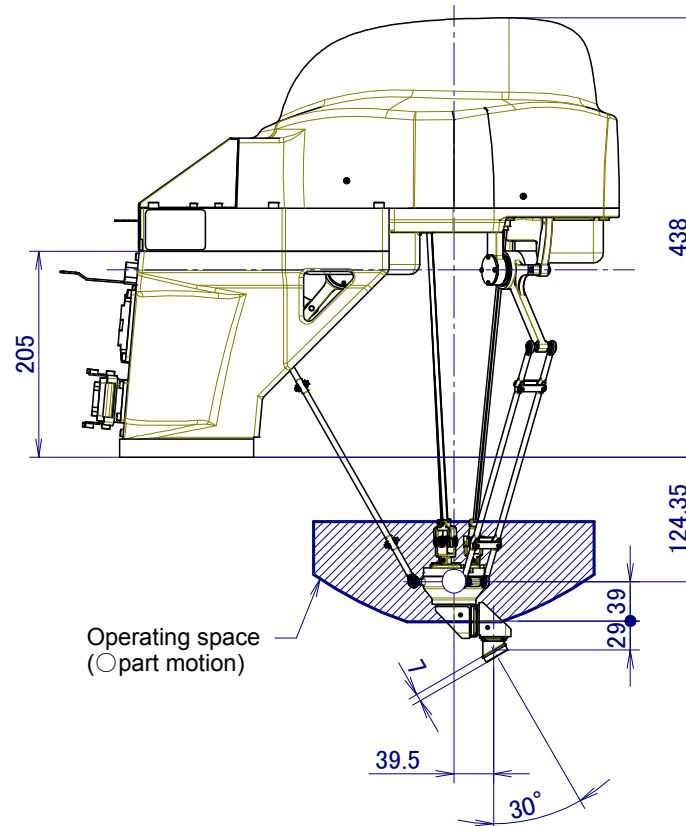
Max. reach: 280 mm

FANUC

Robot			Max. load capacity at wrist (kg)	Reach (mm)	Controlled axes	Repeatability (mm)	Mechanical weight (kg)	Motion range (°)						Maximum speed (°/s)						J4 Moment/ Inertia	J5 Moment/ Inertia	J6 Moment/ Inertia	Average Power consumption (kW)	Protection	
Series	Version	Type						J1	J2	J3	J4	J5	J6	J1	J2	J3	J4	J5	J6					Body standard/optional	Wrist & J3 arm standard/optional
M-1	iA	0.5A	0.5(1)	280	6	±0.02	23 ^{*2)}	∅ 280 X 100 ^{*3)}			720	300	720	-	-	-	1440	1440	1440	*4)	0.2	IP20	IP20		

● standard ○ on request - not available *2) with stand () with hardware and/or software option *3) ∅ in mm by height in mm *4) refer to the wrist load diagram

M-1*i*A/0.5A 6-axis



M-1*i*A/0.5A