

M-2000iA/2300



Max. load capacity at wrist: 2300 kg



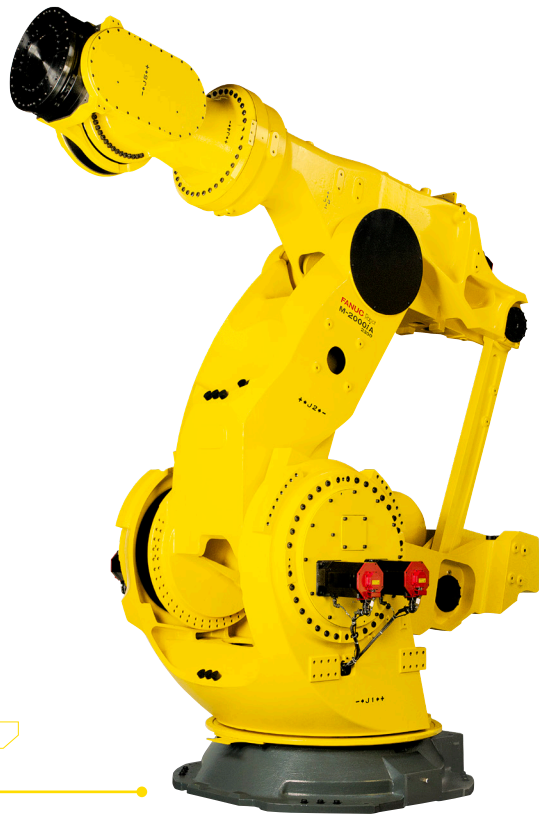
Max. reach: 3734 mm

FANUC

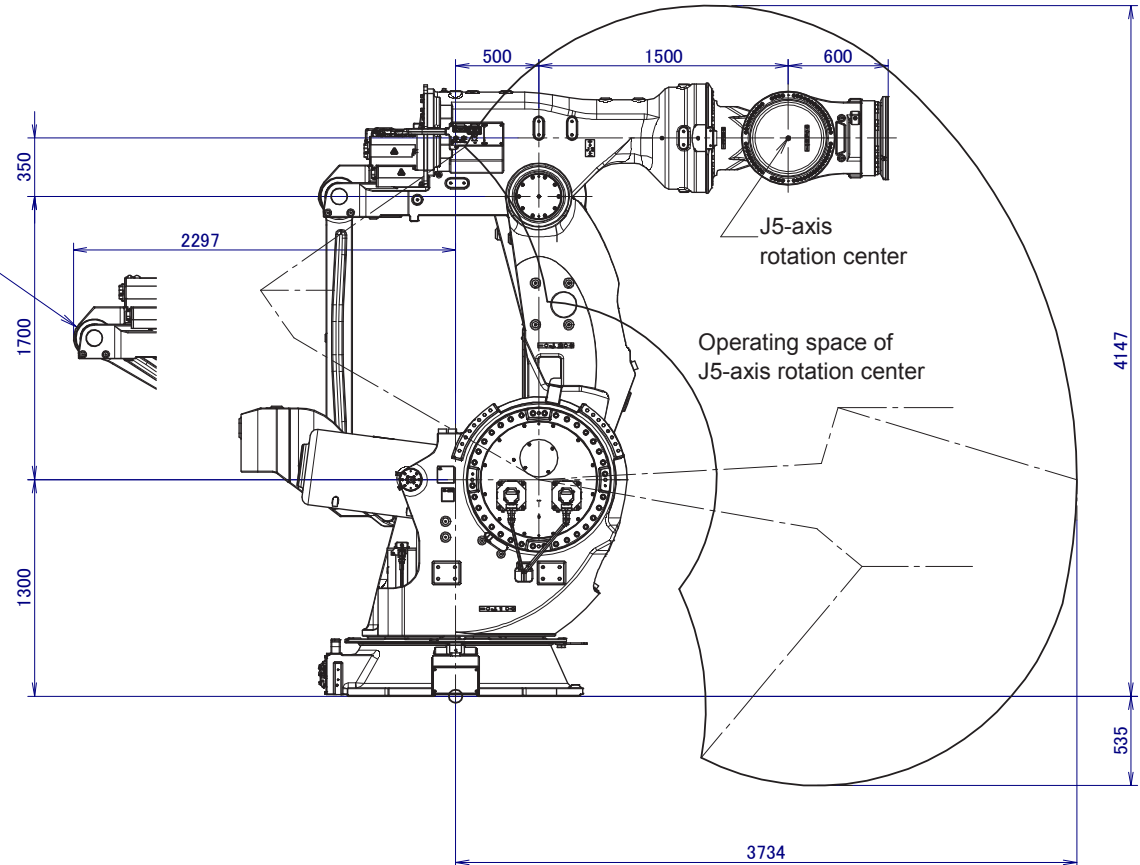
Robot			Max. load capacity at wrist (kg)	Reach (mm)	Controlled axes	Repeatability (mm)	Mechanical weight (kg)	Motion range (°)						Maximum speed (°/s)						J4 Moment/ Inertia	J5 Moment/ Inertia	J6 Moment/ Inertia	Average Power consumption (kW)	Protection	
Series	Version	Type						J1	J2	J3	J4	J5	J6	J1	J2	J3	J4	J5	J6					Body standard/optional	Wrist & J3 arm standard/optional
M-2000	iA	2300	2300	3734	6	±0.18**	11000	330	160	165	720	240	720	20	14	14	18	18	40	29400/7500	29400/7500	8820/5500	8	IP54/ IP56	IP67

● standard ○ on request - not available () with hardware and/or software option ** Based on ISO9283

M-2000iA/2300 Standard model



Rear side Interference area



M-2000iA/2300