

DR-3iB/6 STAINLESS



Max. load capacity
at wrist: 6 kg



Max. reach:
1200 mm

FANUC

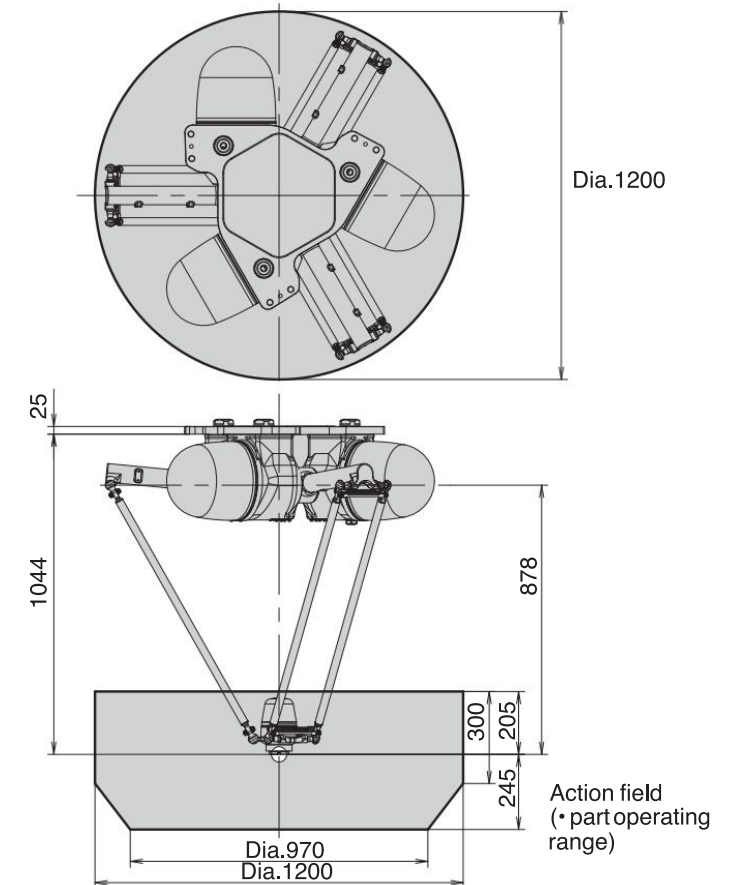
Robot			Max. load capacity at wrist (kg)	Reach (mm)	Controlled axes	Repeatability (mm)	Mechanical weight (kg)	Motion range (°)				Maximum speed (°/s)				Allowable load inertia at wrist (kg m ²)	Average Power Consumption (kW)	Body & Wrist Protection	
Series	Version	Type						J1	J2	J3	J4	J1	J2	J3	J4				
								J4											
DR-3	iB	6 STAINLESS	6	1200	4	± 0.03	250	∅ 1200 X 450 ^{(*)1}				720	-	-	-	1714	0.025 (0.06) ^{(*)2}	2.5	IP69K

*1) ∅ in mm by height in mm *2) With High Inertia option

DR-3iB/6 STAINLESS 4-axis, food grade, all stainless



DR-3iB/6 STAINLESS



Action field
(• part operating range)