

SR-3iA



Max. load capacity at wrist: 3 kg



Max. reach: 400 mm

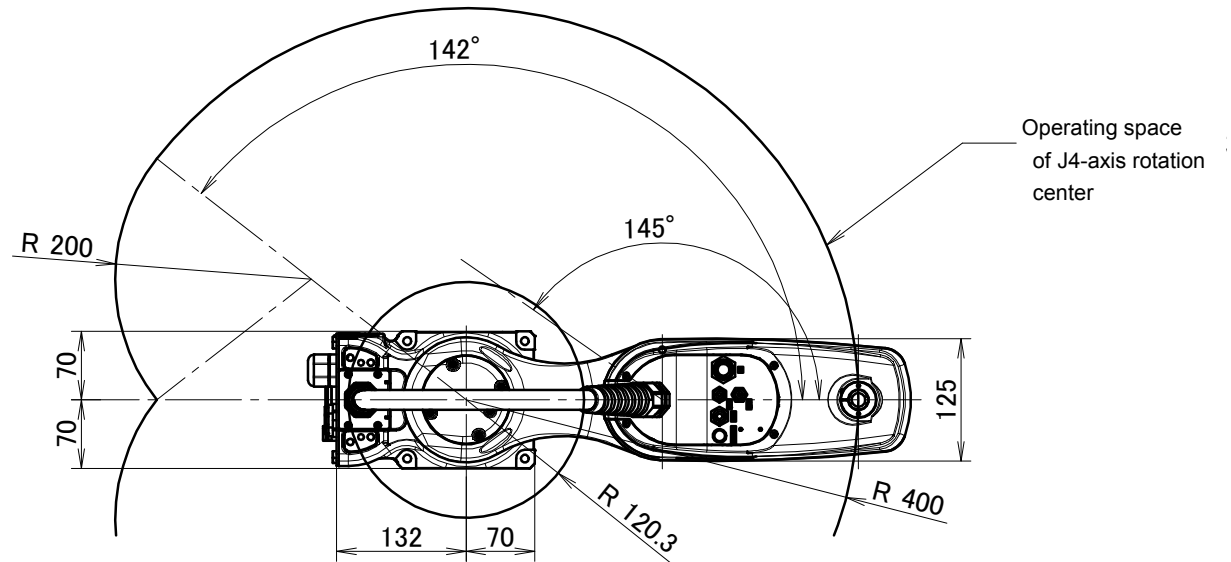
FANUC

Robot			Max. load capacity at wrist (kg)	Reach (mm)	Controlled axes	Repeatability (mm)	Mechanical weight (kg)	Motion range (°)						Maximum speed (°/s)						Moments (N-m)/Inertia (kg-m ²)			Push Force (N)	Protection	
Series	Version	Type						J1	J2	J3	J4	J5	J6	J1	J2	J3	J4	J5	J6	J4 Moment/Inertia	J4 Moment/Inertia	J4 Moment/Inertia		Body standard/optional	Wrist & J3 arm standard/optional
SR	iA	3	3	400	4**	±0.01 (J1, J2) ±0.01 (J3) ±0.004° (J4)	19	±142	±145	200 mm*	±720	-	-	720	780	1800 mm/s	3000	-	-	-/0.06	.	.	150	IP20	IP20

- not available * z axis ** Three-axis variant available

SR-3iA

4-axis



SR-3iA