

Intelligent Palletizing Robot

FANUC Robot M-410*i*C



Features

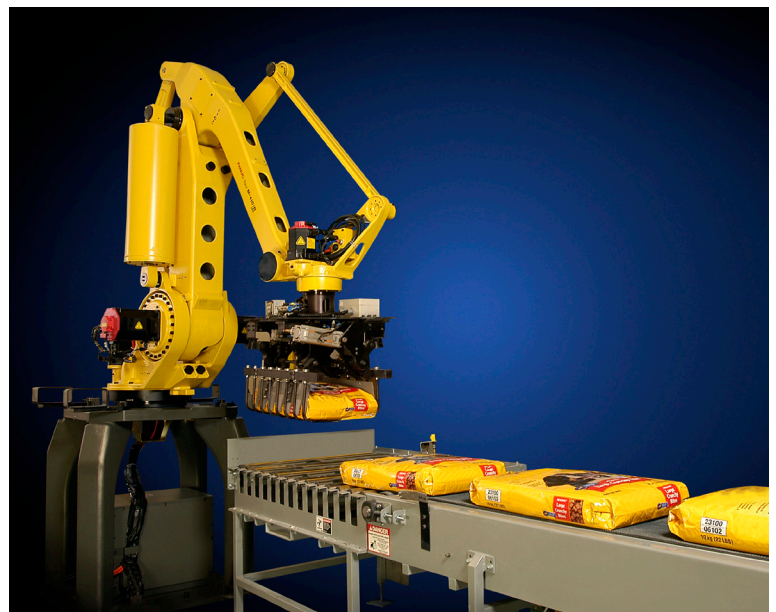
The M-410*i*C is the ideal intelligent solution for automation of palletizing systems.

- Two models are available to meet the needs of speed and payload.
 - FANUC Robot M-410*i*C/185 Payload 185kg
 - FANUC Robot M-410*i*C/315 Payload 315kg
- Two base variations available for enhanced flexibility.
 - Pedestal base eliminates cabling operation, saves space with R-30*i*B controller underneath robot.
 - Compact base minimizes robot height for low ceiling placement or integration into existing systems.
- Hollow wrist for easy wiring to EOAT.
- Easy integration of advanced features such as *i*RVision and simulated programming with R-30*i*B controller.

Application system



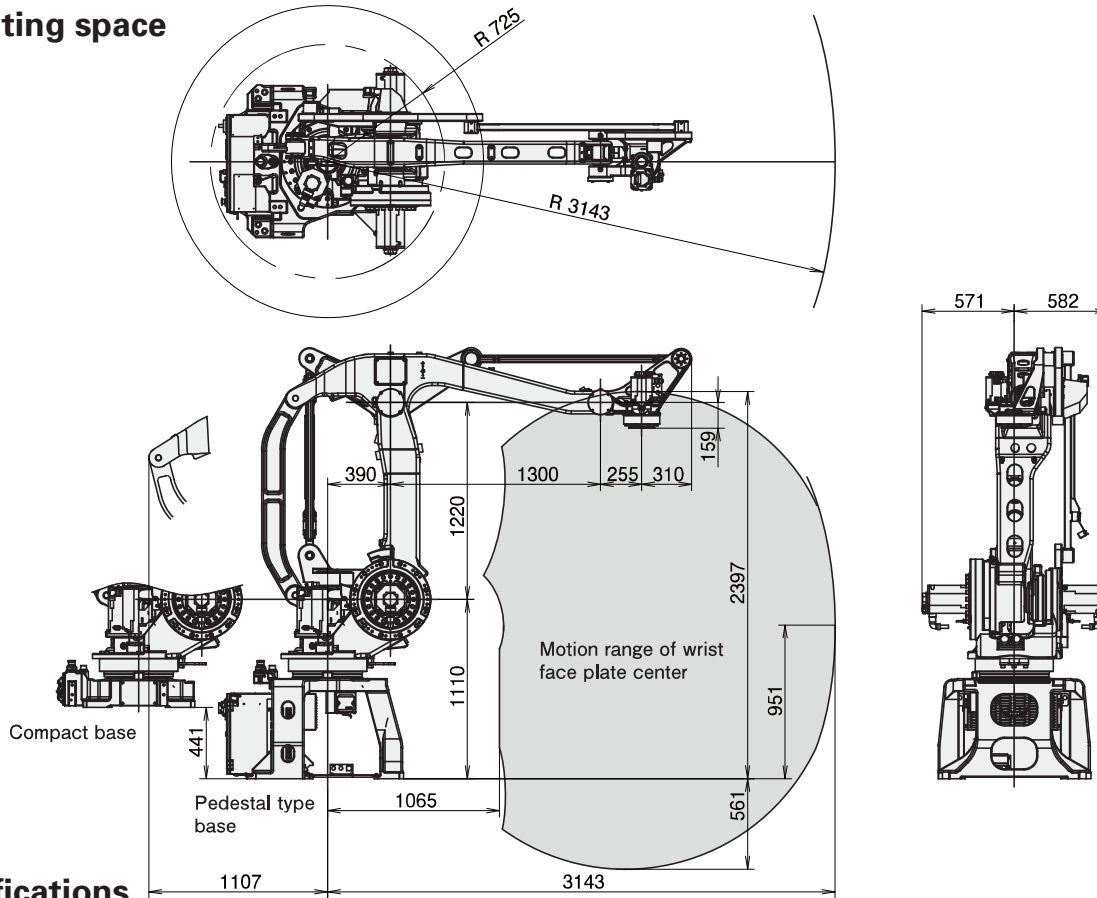
Box Palletizing



Bag Palletizing

FANUC Robot M-410iC

Operating space



Specifications

Item	Specifications				
	M-410iC/185		M-410iC/315		
Type	Articulated Type				
Controlled axes	4 axes (J1,J2,J3,J4)				
Reach	3.14m				
Installation	Floor				
Motion range (Maximum speed) (Note1)	J1 axis rotation	360° (140°/s)	6.28 rad (2.44 rad/s)	360° (90°/s)	6.28 rad (1.57 rad/s)
	J2 axis rotation	144° (140°/s)	2.51 rad (2.44 rad/s)	144° (100°/s)	2.51 rad (1.75 rad/s)
	J3 axis rotation	136° (140°/s)	2.37 rad (2.44 rad/s)	136° (110°/s)	2.37 rad (1.92 rad/s)
	J4 axis wrist rotation	720° (305°/s)	12.57 rad (5.32 rad/s)	720° (195°/s)	12.57 rad (3.40 rad/s)
Max. load capacity at wrist	185kg		315kg		
Max. load capacity at J2 base	550kg				
Max. load capacity at J3 arm (Note2)	30kg				
Allowable load inertia at wrist	88 kgm ²	898 kgfcms ²	155 kgm ²	1580 kgfcms ²	
Drive method	Electric servo drive by AC servo motor				
Repeatability	± 0.5 mm				
Mass	Pedestal type base 1,600 kg (Note3) Compact base 1,330 kg (Note4)				
Installation environment	Ambient temperature : 0 - 45°C Ambient humidity : Normally 75%RH or less (No dew, nor frost allowed) Short term Max. 95%RH or less (within one month) Vibration acceleration : 4.9m/s ² (0.5G) or less				

Note 1) In case of short distance motion, the axis speed may not reach the maximum value stated.
Note 2) Max. payload capacity at wrist are changed by wrist load.

Note 3) Controller mass (120kg) is included.
Note 4) Controller mass (120kg) is not included.

FANUC

FANUC AMERICA CORPORATION
3900 WEST HAMLIN ROAD
ROCHESTER HILLS MI 48309-3253



MARKETING@FANUCAMERICA.COM FANUCAMERICA.COM 888-FANUC-US