

P-250*i*B Paint Robot

***i*NTelligent SOLUTION**

FANUC ROBOTICS' P-250*i*B IS THE MOST FLEXIBLE AND ADVANCED SIX-AXIS PAINT ROBOT AVAILABLE ON THE MARKET. THE P-250*i*B IS ADAPTABLE IN ITS MOUNTING CONFIGURATION TO ACCOMMODATE THE MOST DEMANDING OF PAINTING APPLICATIONS. THE "OPEN ARCHITECTURE" DESIGN ALLOWS THE USE OF STANDARD FANUC ROBOTICS INTEGRATED PROCESS EQUIPMENT OR STREAMLINES EASY INTEGRATION OF 3RD PARTY APPLICATION EQUIPMENT. THE OPTIONAL ON-ARM PNEUMATIC ENCLOSURE PROVIDES THE ABILITY TO MOUNT FANUC ROBOTICS' APPROVED COMPONENTS CRUCIAL TO OVERALL PERFORMANCE AND PAINT QUALITY WITHIN THE INNER ARM.

PROCESS ADVANTAGES:

- Integral Process Control (1K/2K gear pumps), 1K closed-loop flow control, and Integrated Canister System (direct charge waterborne) automatically maintain programmed flow rates, providing consistent material delivery and high finish quality
- Ability to package process components in the inner-arm in close proximity to the applicator for rapid, accurate, and consistent application performance
- Single or dual-arm controller configurations available
- Standard integrated diagnostic and reporting capabilities
- "Flip-Over" capability provides the industry's largest work envelope
- Balanced arm design provides excellent near reach & stroke length

SOFTWARE ADVANTAGES:

- PaintTOOL software provides the industry's most powerful and easy-to-use programming interface
- Dual Check Safety enables smaller booths and lower system costs
- Collision Guard protects application equipment
- AutoFlowChecker detects fluid delivery system problems in real-time
- Built-in process parameter diagnostic monitoring and reporting provides integrated real-time strip chart capability
- Supports all major network communication protocols
- ROBOGUIDE PaintPRO Offline 3D programming
- Supports both *i*Pendant color graphical teach pendant and standard intrinsically-safe teach pendant

FEATURES AND BENEFITS:

- Floor, wall, ceiling, and shelf mount configurations
- Easily configured left hand or right hand arm to maintain symmetry across the booth
- Standard process hose routing and management
- Options for single or dual integrated process axis motors on the outer arm
- Optional plastic (non-conductive) arm and wrist available
- Designed for ease of maintenance and easy access to all critical components
- High arm and wrist payload design supports a variety of applications including rotary atomizers, conventional and electrostatic spray guns and multi-gun configurations
- Flexible and customizable mounting structures for optimal spraybooth integration



P-250*i*B floor mount



P-250*i*B wall mount

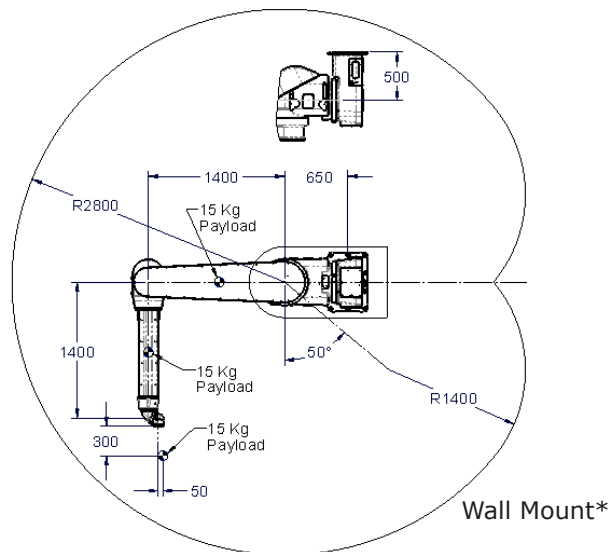
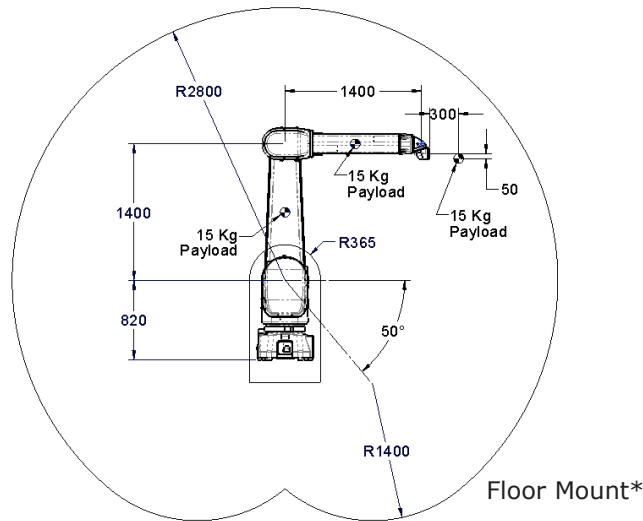
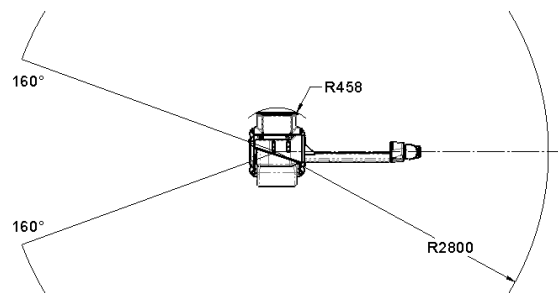
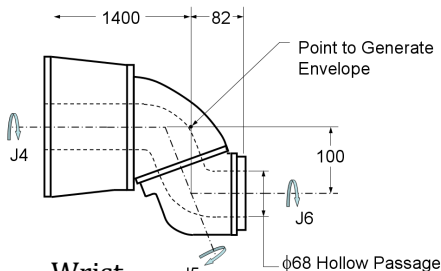
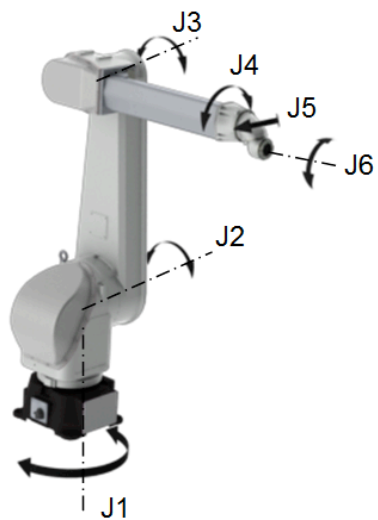


P-250*i*B plastic arm

***i*ntelligent ROBOT solutions**

FANUC
Robotics

P-2501B Paint Robot



P-2501B SPECIFICATIONS:

Item	Specification	Note
Controlled axes	6 robot 2 process (optional)	Process axes located on outer arm for pump, canister, etc.
Installation	Floor, ceiling, wall, shelf	
Motion range & speed	J1	320°, 160° /s 100° /s wall mounted
	J2	280°, 160° /s -
	J3	330°, 160° /s -
	J4	1080°, 375° /s 550° /s option**
	J5	1080°, 430° /s 550° /s option**
	J6	1080°, 545° /s 710° /s option**
	J7	Modular length, 1500 mm/s
Payload capacity	Wrist	15 kg 300mm axial faceplate offset 50mm radial faceplate offset
	Outer arm	15 kg
	Inner arm	15 kg
Drive method	Electric servo drive by AC servo motor	
Repeatability	± 0.2 mm	
Robot weight	530 kg	500 kg with wall mount base
Hazardous location certification (pending)	Class I, II, III Div. I Group C, D, E, F, G ATEX CE II 2 G c Ex ib px IIB T4 Ta=0°C to +45°C ATEX CE II 2 D c Ex pD 21 T135°C Ta=0°C to +45°C	

*Work envelope generated with point identified in figure 1
Reach measured to wrist faceplate is 82 mm larger

**High speed wrist option



FANUC ROBOTICS AMERICA
3900 WEST HAMLIN ROAD
ROCHESTER HILLS MI 48309-3253

