

CR-7iA



Max. load capacity at wrist: 7 kg



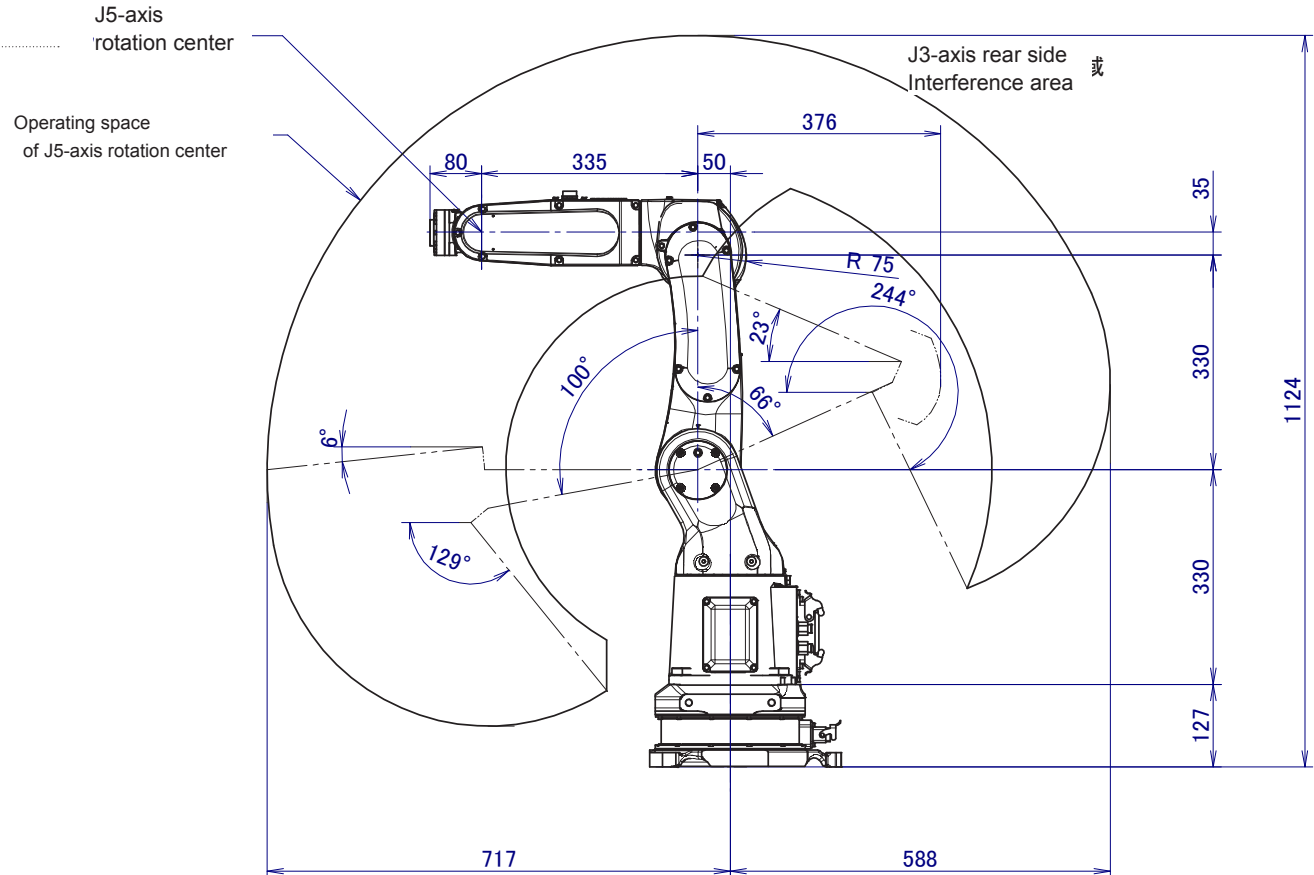
Max. reach: 911 mm

FANUC

Robot			Max. load capacity at wrist (kg)	Reach (mm)	Controlled axes	Repeatability (mm)	Mechanical weight (kg)	Motion range (°)						Maximum speed (°/s)						J4 Moment/ Inertia	J5 Moment/ Inertia	J6 Moment/ Inertia	Average Power consumption (kW)	Protection	
Series	Version	Type						J1	J2	J3	J4	J5	J6	J1	J2	J3	J4	J5	J6					Body standard	Wrist & J3 arm
CR	iA	7	7	717	6	±0.01**	53	340 / 360***	166	374	380	240	720	500*	500*	500*	500*	500*	500*	16.6 / .47	16.6 / .47	9.4 / .15	0.5	IP67	IP67

● standard ○ on request - not available * max. cartesian speed 1000mm/sec ** Based on ISO9283 ***Option

CR-7iA Standard model



CR-7iA