

# P-25iB



Max. speed:  
1500 mm/s



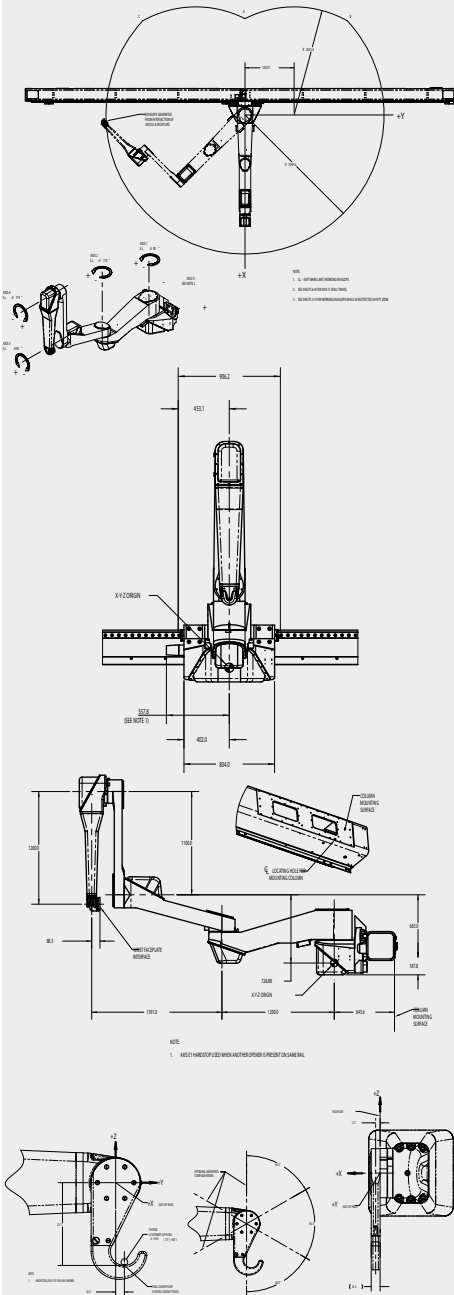
Max. reach:  
3397 mm

# FANUC

## Design

The FANUC P-25iB is a robot for opening and closing hoods and deck lids to paint interior surfaces of automobile bodies.

## Working range P-25iB



## Features

- Vertical articulation saves space and enables a high-density layout
- Applicable for both stop-and-go and moving-line solutions
- Designed for high-speed moving line applications
- Reduced maintenance design improves system uptime
- Tooling is easily removed for maintenance
- Ability to operate independently from painting robot maximizes cycle time

## Options & Software

- Standalone or coordinated controller
- Independent group motion allows the P-25iB and other FANUC paint robots to perform separate tasks simultaneously, reducing cycle time
- Built-in software features simplify path teaching and help users coordinate independent motion groups and decreasing required spray zone length

## Specifications

| Robot                      | Series                 | P-25              |
|----------------------------|------------------------|-------------------|
|                            | Version                | iB                |
| Break away pull force hook |                        | 80-KGF<br>175-LBF |
| Holding capacity hook      |                        | 20-KGF<br>45-LBF  |
| Reach (mm)                 |                        | 3397              |
| Controlled axes            |                        | 5                 |
| Mounting                   |                        | Rail              |
| Mechanical weight (kg)     |                        | 470               |
| Axis reach (mm)            | Axis 1                 | 1200              |
|                            | Axis 2                 | 1391              |
|                            | Axis 3                 | 1100              |
|                            | Axis 4                 | 1200              |
|                            | Axis 5                 | Hook              |
|                            | Axis E1                | 6 to 15M          |
| Max. speed (°/s)           | Axis 1                 | 50                |
|                            | Axis 2                 | 50                |
|                            | Axis 3                 | 50                |
|                            | Axis 4                 | 50                |
|                            | Axis 5                 | Hook              |
|                            | Axis E1 (mm/s on rail) | 1500              |

