

R-2000iC/190S



Max. load capacity at wrist: 190 kg



Max. reach: 2040 mm

FANUC

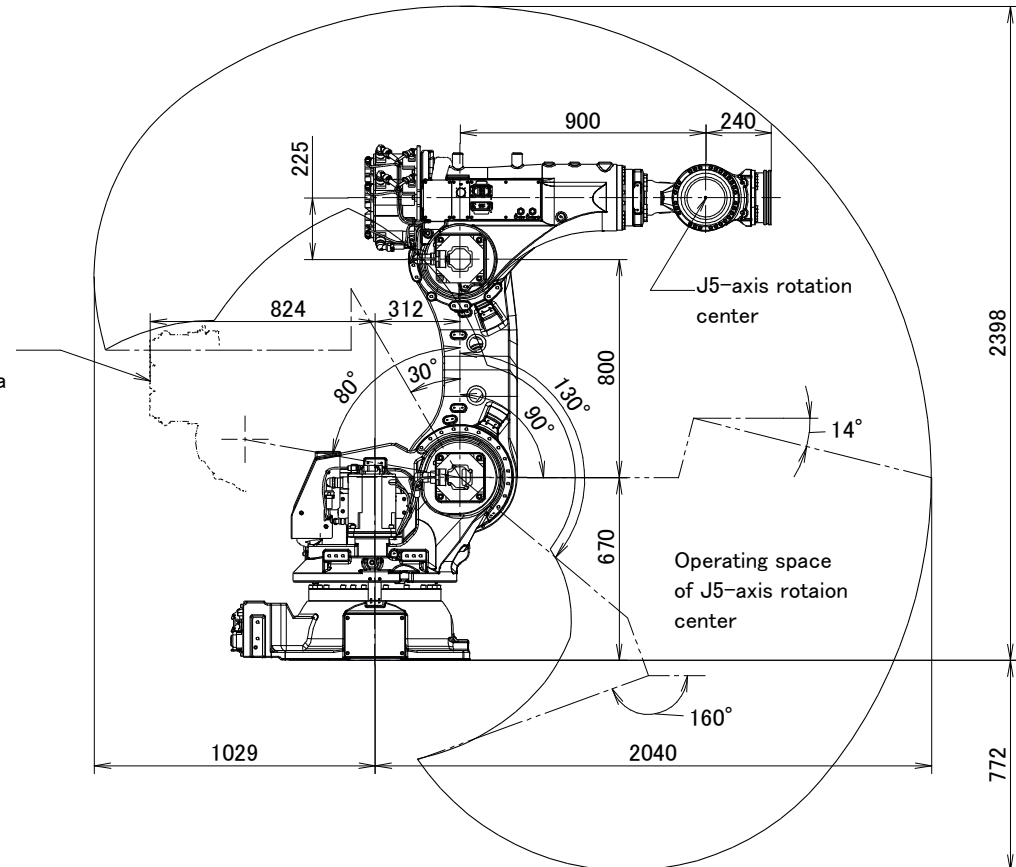
Robot			Max. load capacity at wrist (kg)	Reach (mm)	Controlled axes	Repeatability (mm)	Mechanical weight (kg)	Motion range (°)						Maximum speed (°/s)						Moments (N-m)/Inertia (kg-m ²)			Protection		
Series	Version	Type						J1	J2	J3	J4	J5	J6	J1	J2	J3	J4	J5	J6	J4 Moment/Inertia	J5 Moment/Inertia	J6 Moment/Inertia	Average Power consumption (kW)	Body standard/optional	Wrist & J3 arm standard/optional
R-2000	iC	190S	190	2040	6	± 0.03**	1120/1135*	370/330*	210	340	720/306*	250	720	105	90	145	120	120	200	1200/200	1200/200	630/180	3	IP54 / IP56	IP67

● standard ○ on request - not available () with hardware and/or software option *When accuracy and stiffness enhancement option is specified ** Based on ISO9283

R-2000iC/190S Short Arm Model



Rear side Interference area



R-2000iC/190S