

# SR-12iA Environmental Option



Max. load capacity at wrist: 12 kg



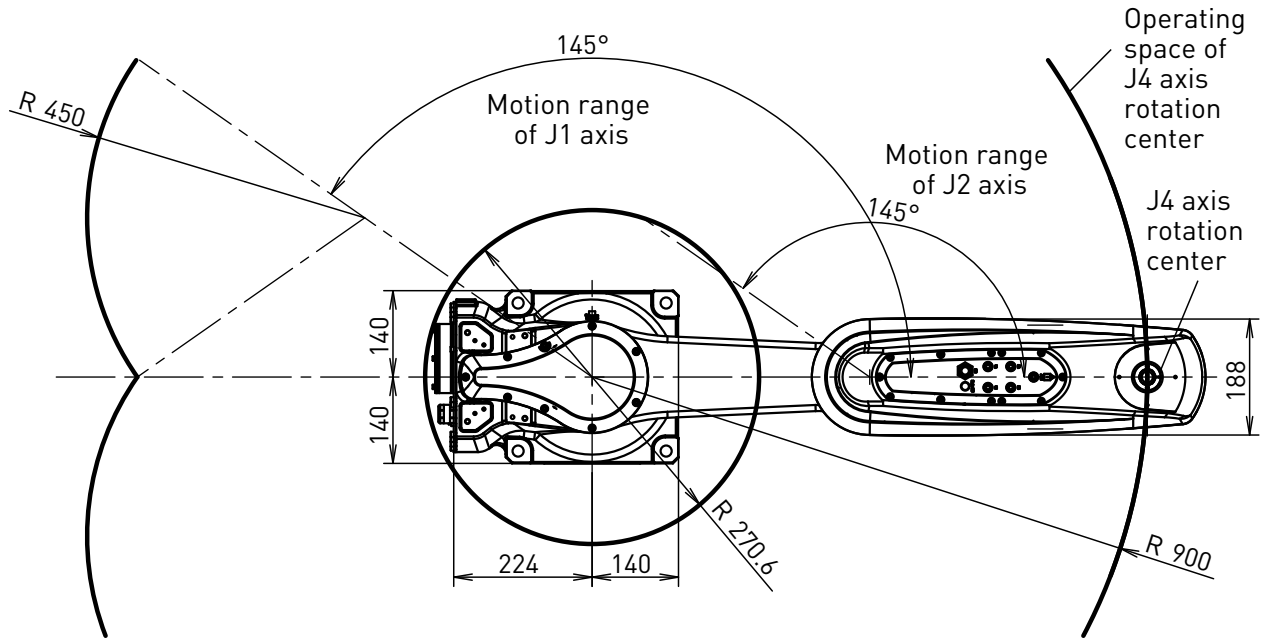
Max. reach: 900 mm

# FANUC

Robot			Max. load capacity at wrist (kg)	Reach (mm)	Controlled axes	Repeatability (mm)	Mechanical weight (kg)	Motion range (°)						Maximum speed (°/s)						Moments (N-m)/Inertia (kg-m <sup>2</sup> )			Push Force (N)	Protection	
Series	Version	Type						J1	J2	J3	J4	J5	J6	J1	J2	J3	J4	J5	J6	J4 Moment/Inertia				Body standard/optional	Wrist & J3 arm standard/optional
SR	iA	12	12	900	4	±0.01 (J1, 2) ±0.01 (J3) ±0.005° (J4)	53	±145	±145	300 mm* (450 option)	±720	-	-	440	510	2800 mm/s	2500	-	-	-/0.3	.	.	250	IP65	IP65

- not available \* z axis

SR-12iA 4-axis Environmental Option



SR-12iA