

SR-6iA/C



Max. load capacity at wrist: 6 kg



Max. reach: 650 mm

FANUC

Robot			Max. load capacity at wrist (kg)	Reach (mm)	Controlled axes	Repeatability (mm)	Mechanical weight (kg)	Motion range (°)						Maximum speed (°/s)						Moments (N-m)/Inertia (kg-m ²)			Push Force (N)	Protection	
Series	Version	Type						J1	J2	J3	J4	J5	J6	J1	J2	J3	J4	J5	J6	J4 Moment/Inertia				Body standard/optional	Wrist & J3 arm standard/optional
SR	iA/C	6	6	650	4	±0.01 (J1, J2) ±0.01 (J3) ±0.004* (J4)	32	±148	±150	210 mm*	±720	-	-	440	700	2000 mm/s	2500	-	-	-/0.12	,	,	200	IP54	IP54

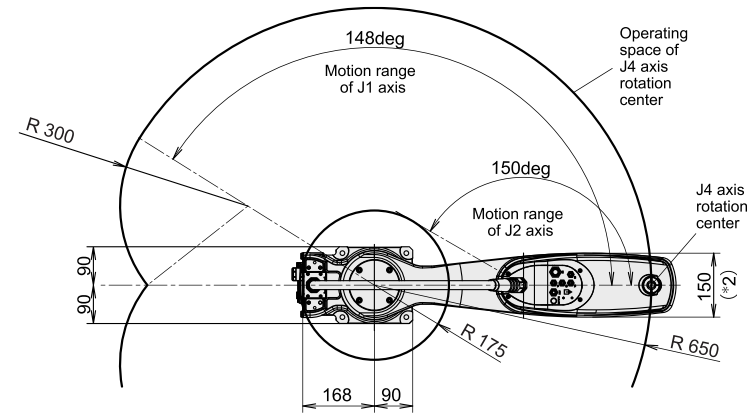
- not available * z axis

SR-6iA/C

4-axis, food grade grease,
ISO Class 2 - ISO Class 5



SR-6iA/C



(*2) 159 for SR-6iA/C

