

# FANUC Robot P-1000iA



## Features

### Design

- Unique Painting Robot With Seven Integrated Axes
- Optimally Position Arm In Interior & Exterior Paint Programs
- Inverted Pedestal Installation Maximizing Work Envelop
- Balanced Arm Length Provides Excellent Near & Far Reach
- Payload Supports A Range Of Rotary Atomizers & Spray Guns

### Booth

- Minimizes Booth Size By Optimizing Robot Density
- In-Line Arms Maintain Process Symmetry Across The Booth

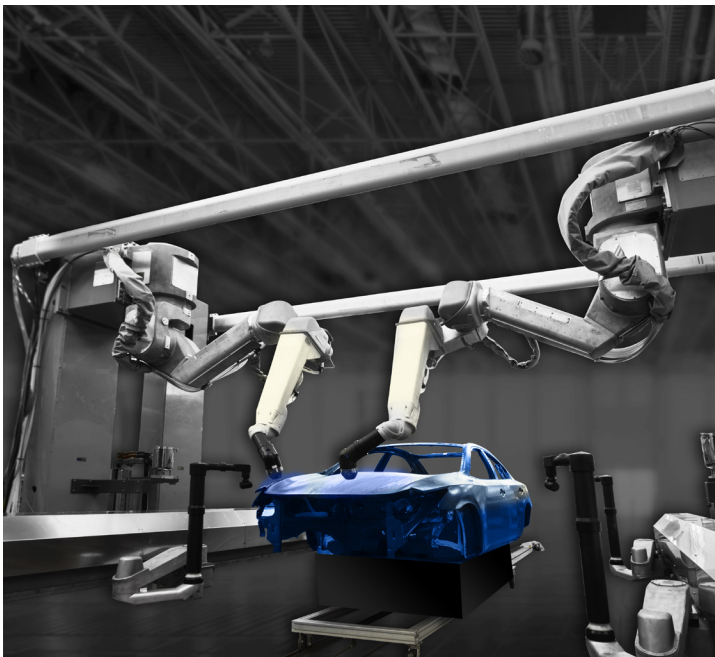
### Application

- Easy Access To All Critical Process Components
- Maximized Performance With In Arm Process Components
- Integrated Fluid Delivery Systems With FANUC Servo Motors
- Direct Charge Waterborne And 1k & 2k Solventborne Systems
- 140° Hollow Wrist Optimized For Demanding Paint Processes

### Controller

- A Compact And Stackable R-30iB Paint Controller
- Single Arm And Dual Arm Controller Support
- Supported By The iPendant Color Graphical Teach Pendant
- Integrated Support Of Hood, Deck And Door Opener Controls
- Supports All Major Network Communications Protocols

## Interior Application



P-1000iA Interior Door Zone With P-20iA Openers

## Software Features

### Paint Application

- Industry's Most Powerful & Easy-To-Use Interface – PaintTool
- Integrated Diagnostic Monitoring And Reporting Of Process Parameters Provides Real-Time Strip Chart Capability

### Motion Enhancement

- Software Functionality To Simplify Elbow Position Control
- Dual Check Safety Enables Smaller Booths
- Collision Guard Minimizes Application Equipment Damage

### Options

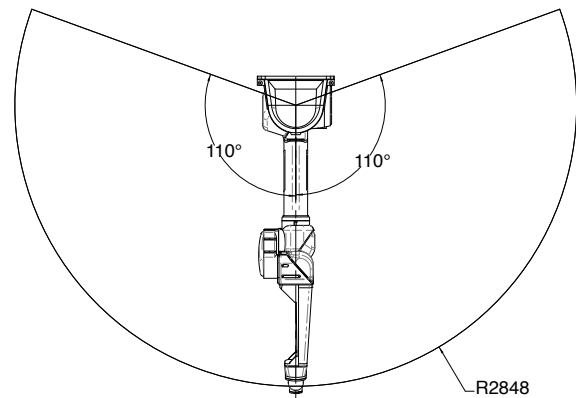
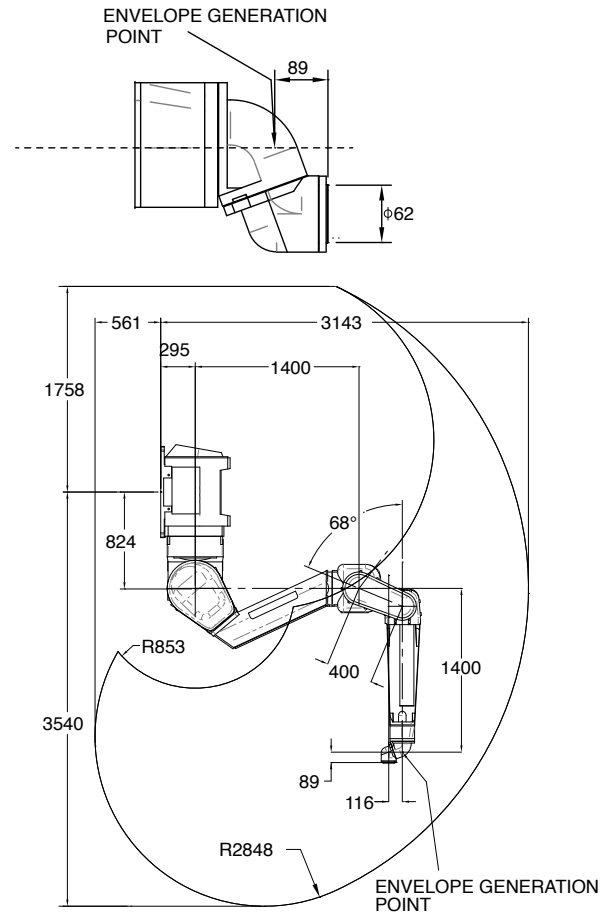
- Mechanical Unit & Paint Process Equipment Are Monitored And Protected By FANUC's Zero Down Time Package
- Pressure vs. Flow Monitoring Software Detects Fluid Delivery System Problems In Real-Time
- ROBOGUIDE PaintPRO Offline 3D Programming

# FANUC Robot P-1000iA

## P-1000iA SPECIFICATIONS:

Item	Specification		
Controlled Axes	7 Axes		
Motion Range * & Standard Maximum Motion Speed	Reach	2848mm	
	J1 Axis	±110°	125° / sec
	J2 Axis	+85° / -65°	125° / sec
	J3 Axis	+120° / -120°	120° / sec
	J4 Axis	+90° / -70°	120° / sec
	J5 Axis	± 720°	200° / sec
	J6 Axis	± 720°	200° / sec
	J7 Axis	± 720°	200° / sec
Maximum Load Capacity	Maximum Tip Speed	1500mm/sec	1200mm/sec
	At Wrist	10kg	15kg
	On J2 Arm	15kg	
	On J4 Arm	25kg	
Repeatability	± 0.5mm		
Drive Method	Electric Servo Driven AC Servo Motor		
Feedback Method	Absolute Pulse Encoders		
Axis Control	Digital-Servo Controlled Path Control Joint, Linear, And Circular Motion		
Mechanical Brakes	All Axes		
Weight	Mechanical Unit : 700kG		
Installation	Invert Mount		
Temperature Conditions	0° - 45°C		
Humidity Conditions	Normal	< 75%	
	Short Term	< 95% (< 1 month)	
	Condensation	None Permissible	
Vibration	< 0.5 m/sec <sup>2</sup> (G)		
Hazardous Location Certifications	FMUC Class I, II, III, Div I Group C, D, E, F, G, T4 45°C Ambient		
	ATEX CE II 2 G c Ex ib px IIB T4 Ta = 0°C to +45°C		
	ATEX CE II 2 D c Ex pD 21 T135° Ta = 0°C to +45°C		

\* Work Envelope Generated With Identified Wrist Point  
Reach Measured To Faceplate Is 89mm Larger



# FANUC

FANUC AMERICA CORPORATION  
3900 WEST HAMLIN ROAD  
ROCHESTER HILLS MI 48309-3253



MARKETING@FANUCAMERICA.COM

FANUCAMERICA.COM 888-FANUC-US